

Safety Manager Hardware Reference

EP-SM.MAN.6284

Issue 1.0

20 February 2013

Release 151

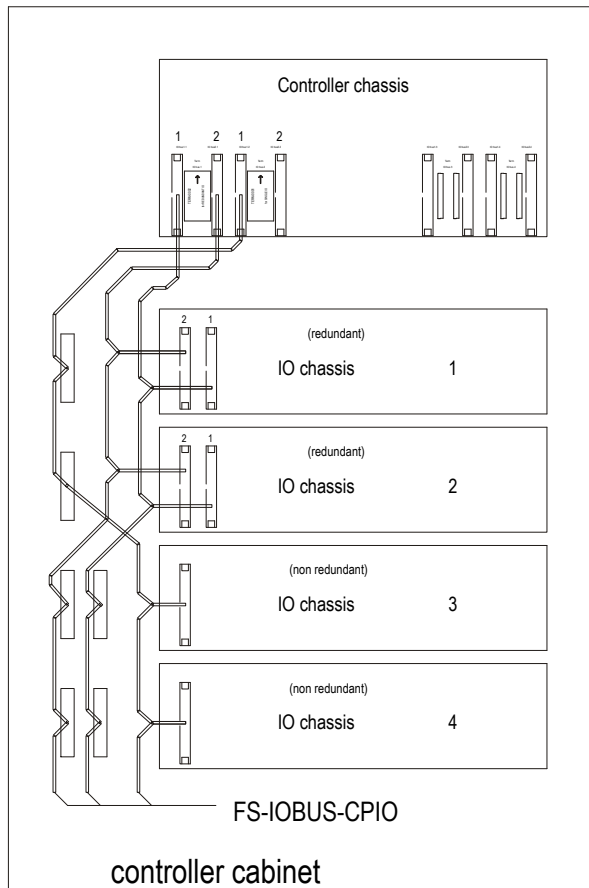
IOBUS-CPIO

IO Bus from Controller chassis to IO chassis

Description

The IOBUS-CPIO is a vertical IO bus (34-wire flatcable) from the Controller chassis (CPCHAS-0001) to one or more IO chassis (IOCHAS-0001S/R), as shown in Figure 294 on page 491. All scan, test and update actions between the QPP module and IO modules are routed via these IO busses.

Figure 294 IOBUS-CPIO busses in a controller cabinet



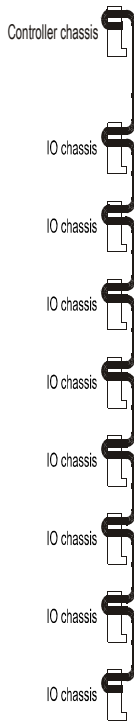
At the side of the Controller chassis, the IOBUS-CPIO is connected to the Controller backplane, to the connector marked **IO busx.x** (see Table 7 on page 94 and Figure 45 on page 88).

At the side of the IO chassis, the IOBUS-CPIO is connected to the IO backplane IOB-0001S/R, to the connector marked **IO busx** (see Figure 50 on page 101 and Table 10 on page 101 or Figure 57 on page 110 and Table 14 on page 110).

The IOBUS-CPIO is used for redundant as well as non-redundant (Controller and/or IO) configurations.

Figure 295 on page 492 shows a side view of the IO bus.

Figure 295 IOBUS-CPIO side view



Technical data

General	Type number:	FS-IOBUS-CPIO
	Approvals:	UL, CSA
Physical	Connectors:	34 pole latch (female)
	Weight:	0,31 kg