



FS-TSDO-04UNI Fail-safe digital output FTA (24/48/60/110 Vdc, 4 channels)

Description

The field termination assembly module FS-TSDO-04UNI is the interface between the system interconnection cable SIC-C-12 and the external field wiring (screw terminals).

The four channels of a (redundant pair of) 10213/2/x module(s) or 10216/2/x module(s) can be connected to the FS-TSDO-04UNI module via the system interconnection cable SIC-C-12.

The FTA module has a universal snap-in facility for standard DIN EN rails, and screw terminals for connecting field wiring.

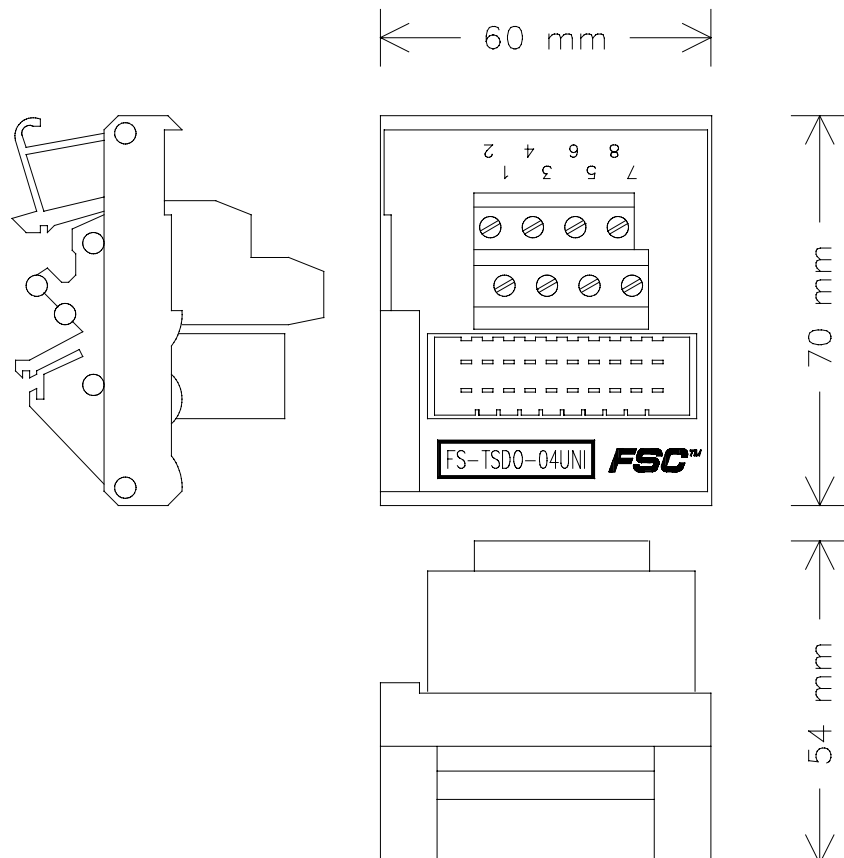


Figure 1 Mechanical layout



Applications

For details on applications and connection options for the FS-TSDO-04UNI module refer to the 'SIC to FTA applications' data sheet.

Connections

The connections diagram of the FS-TSDO-04UNI module is as follows:

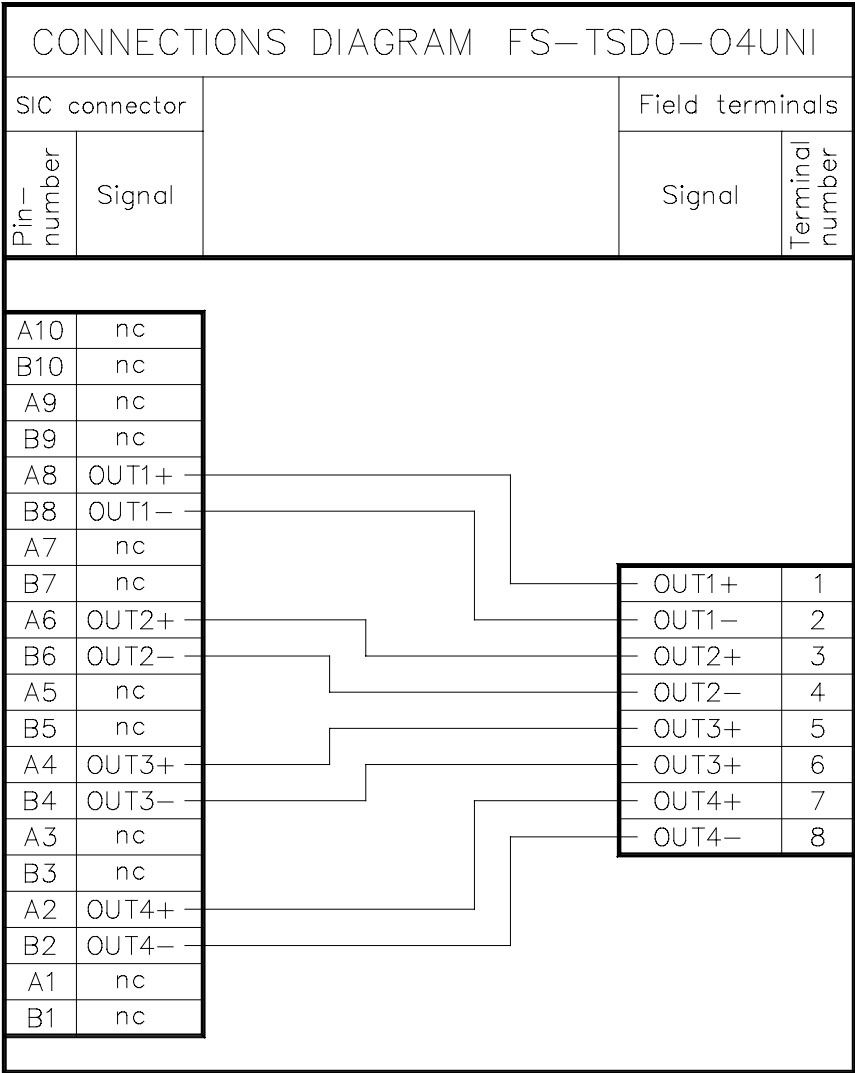


Figure 2 Connections diagram



Technical data

The FS-TSDO-04UNI module has the following specifications:

General	Type number:	FS-TSDO-04UNI
	Approvals:	CE, UL approvals pending
Power	Number of channels:	4
	Maximum voltage:	50 Vdc – IEC 1010 (1990), overvoltage category 3 (Table D.12) 150 Vdc – IEC 1010 (1990), overvoltage category 2 (Table D.10)
	Maximum continuous current per channel:	2 A
	Actual maximum current defined by connected output module	
Physical	Module dimensions:	60 x 70 x 54 mm (L x W x H) 2.36 x 2.76 x 2.13 in (L x W x H)
	DIN EN rails:	TS32 / TS35 x 7.5
	Used rail length:	61 mm (2.40 in)
Termination	Screw terminals:	
	– max. wire diameter	2.5 mm ² (AWG 14)
	– strip length	7 mm (0.28 in)
	– tightening torque	0.5 Nm (0.37 ft-lb)

While this information is presented in good faith and believed to be accurate, Honeywell Safety Management Systems B.V. disclaims the implied warranties of merchantability and fitness for a particular purpose and makes no express warranties except as may be stated in its written agreement with and for its customer. In no event is Honeywell Safety Management Systems B.V. liable to anyone for any indirect, special or consequential damages. The information and specifications in this document are subject to change without notice.