



## FS-TSDI-16UNI Fail-safe digital input FTA (24/48 Vdc, NAMUR, 16 channels)

### Description

The field termination assembly module FS-TSDI-16UNI is the interface between a system interconnection cable (SIC) and the external field wiring (screw terminals).

Sixteen channels (separated into two groups of eight channels with a 250 mA fuse in the common +) can be connected to the FS-TSDI-16UNI module via a system interconnection cable (SIC). This cable is plugged into the SIC connector on the FTA module.

The FTA module has a universal snap-in facility for standard DIN EN rails, and screw terminals for connecting field wiring.

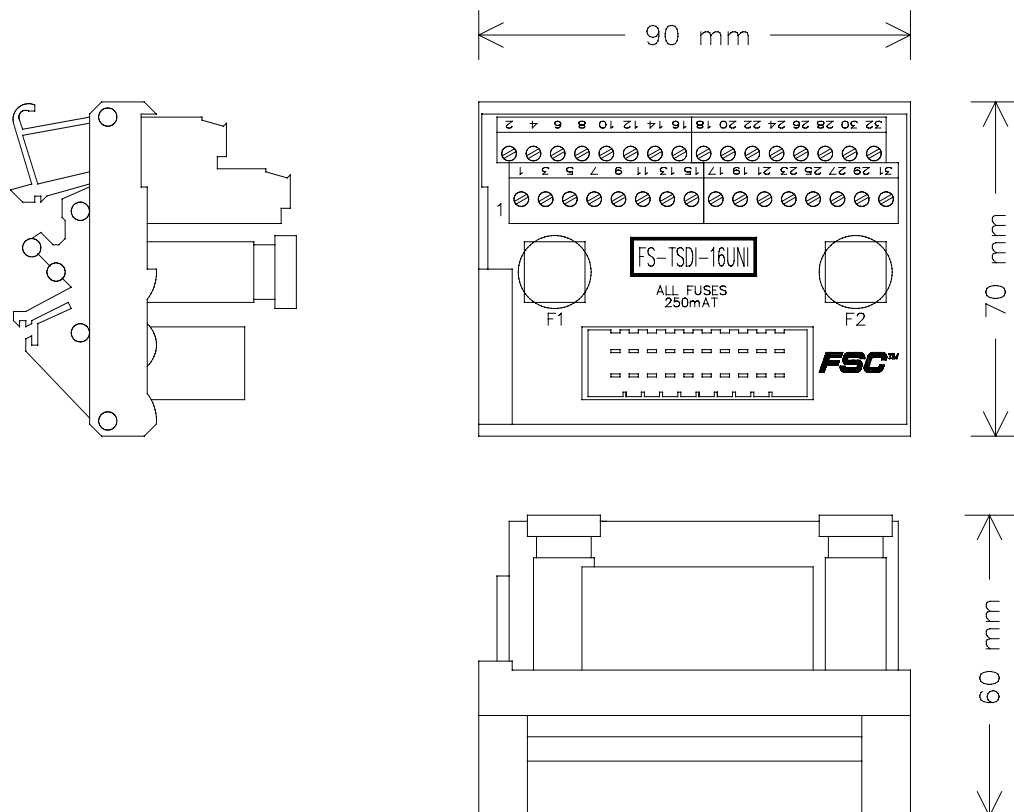


Figure 1 Mechanical layout

## Applications

For details on applications and connection options for the FS-TSDI-16UNI module refer to the 'SIC to FTA applications' data sheet.

## Connections

The connections diagram of the FS-TSDI-16UNI module is as follows:

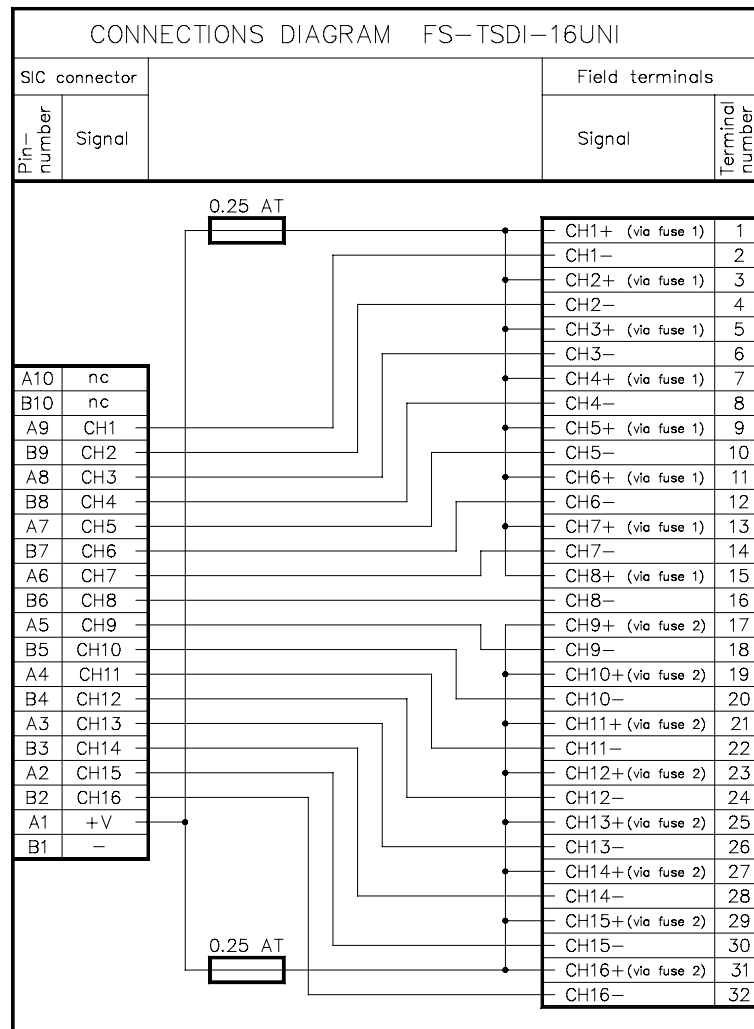


Figure 2 Connections diagram



## Technical data

The FS-TSDI-16UNI module has the following specifications:

<b>General</b>	Type number:	FS-TSDI-16UNI
	Approvals:	CE, UL, TÜV
<b>Power</b>	Number of channels:	16 (2 groups of 8)
	Maximum voltage:	36 Vac / 50 Vdc – IEC 61010-1 (1990), over voltage category 3 (Table D.12) 125 Vac / 150 Vdc – IEC 61010-1 (1990), over voltage category 2 (Table D.10)
<b>Physical</b>	Module dimensions:	90 x 70 x 60 mm (L x W x H) 3.54 x 2.76 x 2.36 in (L x W x H)
	DIN EN rails:	TS32 / TS35 x 7.5
	Used rail length:	91 mm (3.58 in)
<b>Fuse</b>	Rating:	250 mA <sub>T</sub> (slow-acting)
	Dimensions:	5 x 20 mm (0.2 x 0.79 in)
<b>Termination</b>	Screw terminals:	
	– max. wire diameter	2.5 mm <sup>2</sup> (AWG 14)
	– strip length	7 mm (0.28 in)
	– tightening torque	0.5 Nm (0.37 ft-lb)

*While this information is presented in good faith and believed to be accurate, Honeywell Safety Management Systems B.V. disclaims the implied warranties of merchantability and fitness for a particular purpose and makes no express warranties except as may be stated in its written agreement with and for its customer. In no event is Honeywell Safety Management Systems B.V. liable to anyone for any indirect, special or consequential damages. The information and specifications in this document are subject to change without notice.*