

Trusted Output Power Distribution Unit

Product Overview

The Trusted® Output Power Distribution Unit is designed to provide 24-120 Vdc for use with Trusted Sourcing Output Modules, e.g. T8451 and T8471, 24 Vdc and 120 Vdc Digital Output Modules respectively. The Unit is designed to be mounted on a DIN rail above the relevant Output Module I/O connectors.

Note: New developments using Trusted Analogue Output Modules, or for Output Modules obtaining their 0 V reference via Trusted Versatile Field Termination Assemblies (VFTAs) should use the Trusted Output Power Distribution Unit (Diode Protected) T8297.

Features:

- Supports up to three Trusted Sourcing Output Modules.
- Dual stud power connection for either single or dual feed.
- 0 V module reference via BLZ 2-part connectors.

ISSUE RECORD

Issue	Date	Comments
6	Sep 05	Format
7	Sep 15	Rebranded and reformatted
8	Apr 16	Standardisation of Relative Humidity Range and Operating Temperature statements in the Specification Section

1. Description

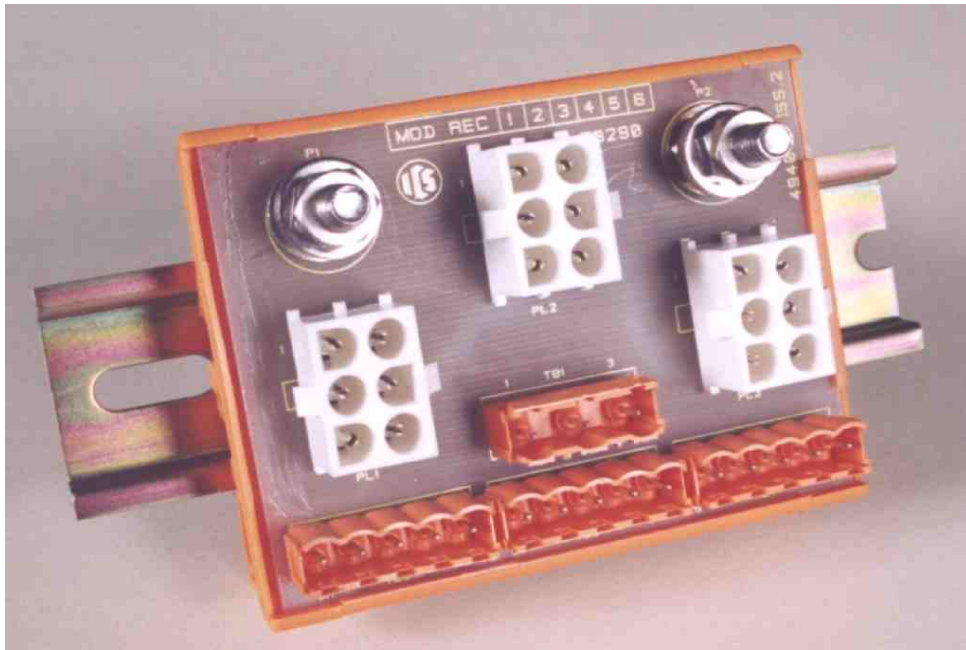


Figure 1 T8290 Photo

The wiring diagram of the Trusted Output Power Distribution Unit is shown in Figure 2.

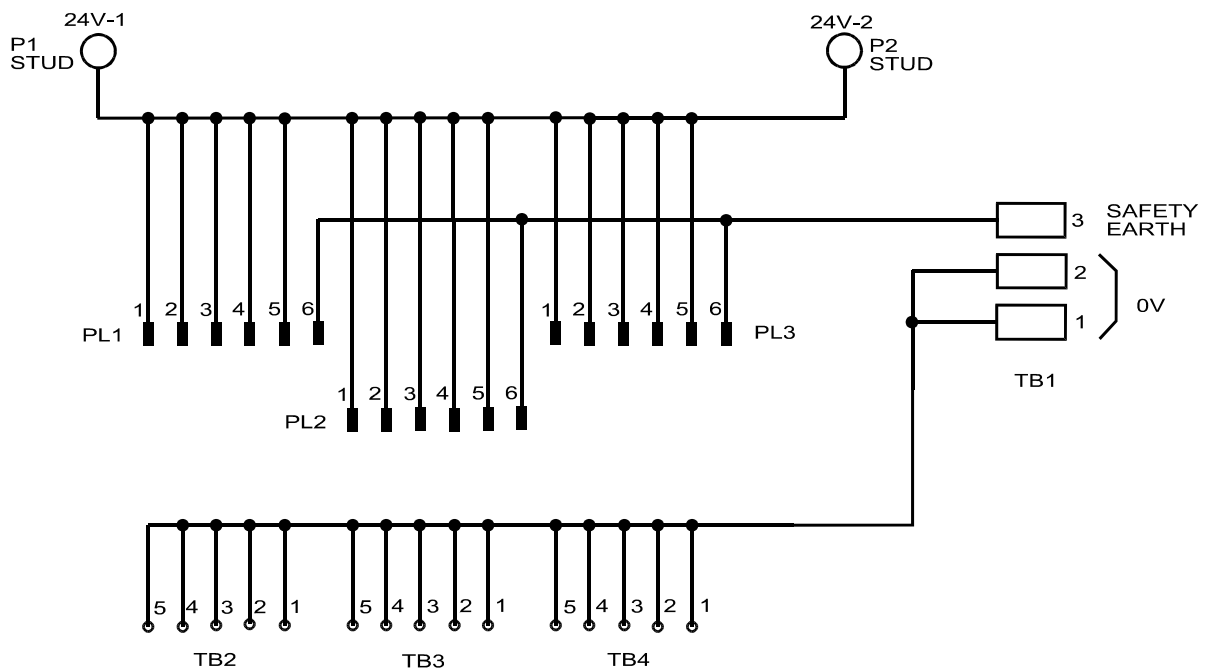


Figure 2 Trusted Output Power Distribution Unit – Wiring Diagram

The Trusted Output Power Distribution Unit is designed to distribute the +ve field loop power and 0 V reference (not 0 V return) for the 24 Vdc - 120 Vdc range of Trusted Sourcing Output Modules. The output 0 V return is via the Trusted Field Termination Assemble (FTA) or field terminal as appropriate.

Up to three Output Modules may be supported providing the total load does not exceed the maximum rated capacity of the Unit.

Each supply stud is capable is of supplying the maximum rated capacity and can be used in single or dual configuration as required. Dual configuration may be used where the supply is fed via blocking diodes.

2. Installation

The Trusted Output Power Distribution Unit may be mounted on TS32 or TS35 DIN rails.

3. Associated Cable Selection

The output cables detailed in PD-TC100 and PD-TC200 may be used to connect the Unit to the associated Output Modules.

5. Specifications

Voltage Range	22 Vdc - 120 Vdc
Supply Current	60 A max
Supply Connection +ve	2-off M6 x 25 mm studs
0 V Reference Connector (not 0 V return)	BLZ 2-part terminal
Power Output (3-off)	6-way AMP MATE-N-LOK connector
0 V Reference Connector (3-off)	5-way BLZ two-part terminal
Conductor Clamping Range	0.5 mm ² to 2.5 mm ²
Operating Temperature	0 °C to +60 °C (+32 °F to +140 °F)
Non-operating Temperature	-25 °C to +70 °C (-13 °F to +158 °F)
Relative Humidity range (operating, storage & transport)	10 % – 95 %, non-condensing
Environmental Specifications	Refer to document 552517
Dimensions	
Height	70 mm (2.75 in)
Width	90 mm (3.54 in)
Depth (including mounting rail)	50 mm (1.97 in)
Weight	106 g (0.23 lb)